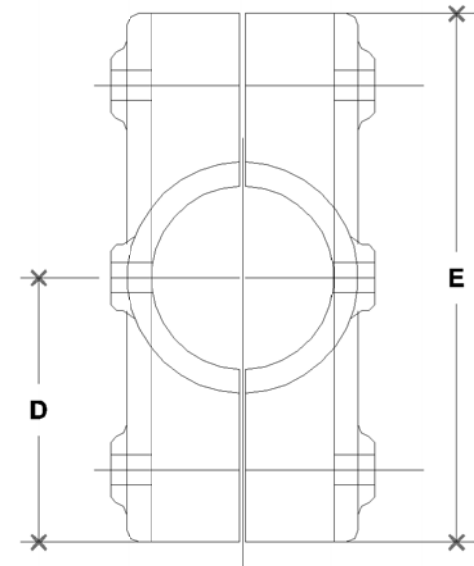
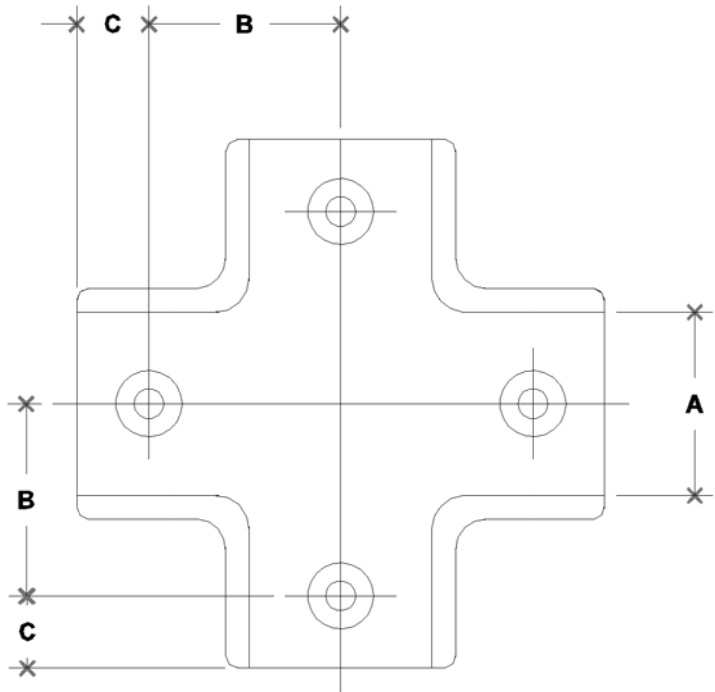


NOTE: DIMENSIONS LOCATED IN BOXES ARE COMMON
SETBACK DIMENSIONS FOR EACH FITTING



#700 Mend-A-Rail Cross

SCALE: HALF

ENGLISH UNITS (Inches)							
PIPE SIZE	A	B	C	D	E	F	G
2"	-	-	-	-	-	-	-
1½"	1.93	2.41	2.75	2.00	5.50	-	-
1¼"	-	-	-	-	-	-	-
1"	-	-	-	-	-	-	-
¾"	-	-	-	-	-	-	-

METRIC UNITS (mm)							
PIPE SIZE	A	B	C	D	E	F	G
2"	-	-	-	-	-	-	-
1½"	49	61	69	50	140	-	-
1¼"	-	-	-	-	-	-	-
1"	-	-	-	-	-	-	-
¾"	-	-	-	-	-	-	-