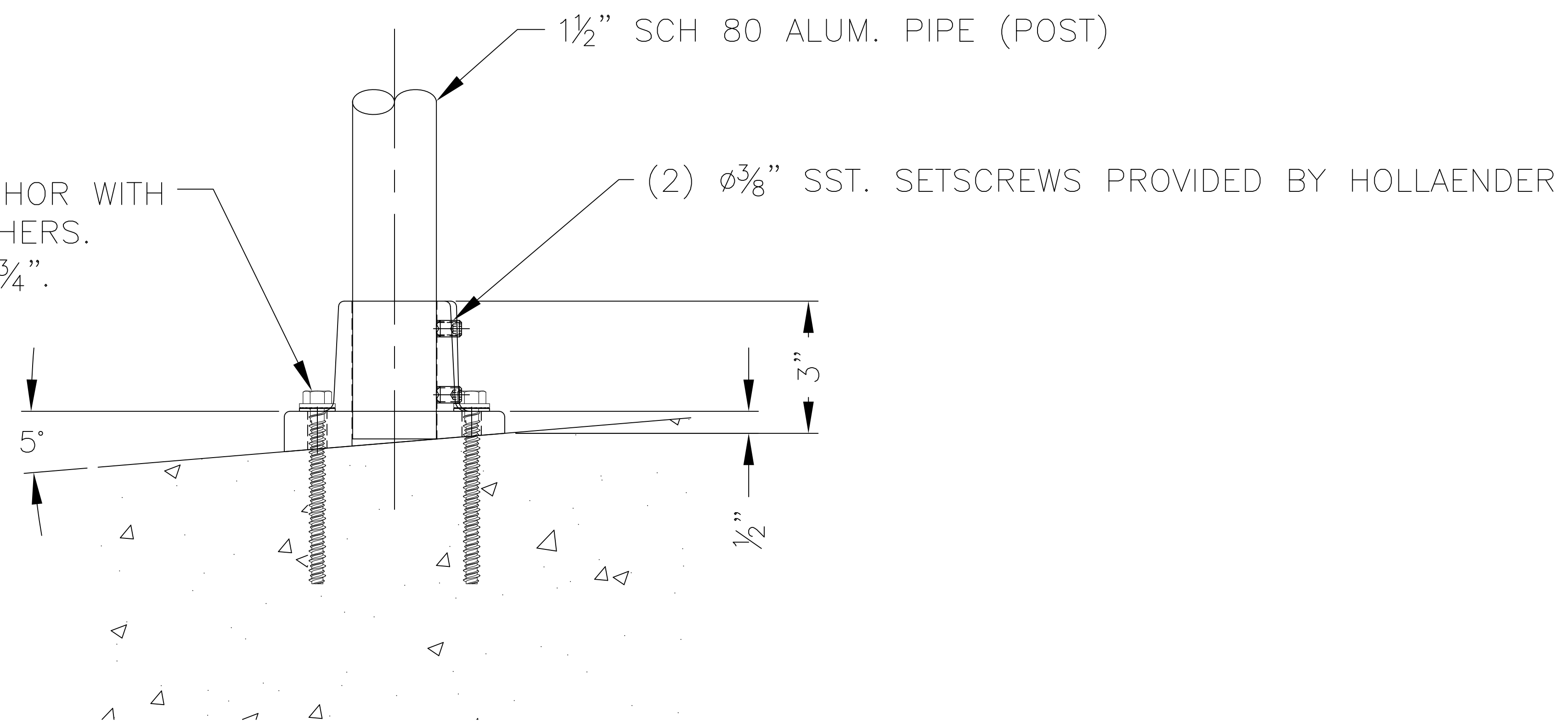


(4) $\frac{3}{8}$ " STAINLESS STEEL SCREW ANCHOR WITH
 3" MINIMUM EMBED PROVIDED BY OTHERS.
 MINIMUM CONCRETE THICKNESS OF $4\frac{3}{4}$ ".



Hollaender[®]

STRUCTURAL ENGINEERING GROUP

10285 WAYNE AVENUE

CINCINNATI, OH 45215-6399

PHONE: (800) 772-8800 FAX: (800) 772-8806

WWW.HOLLAENDER.COM

45SBCS-8 SQUARE BASE FLANGE
1:12 SLOPE CONCRETE DETAIL